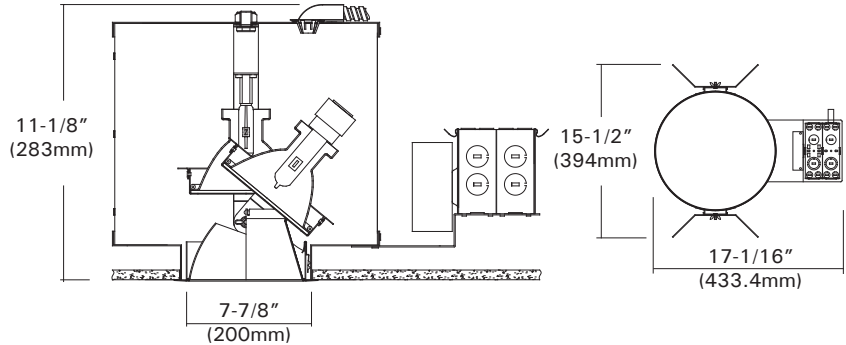


DL-8580TH

8" Architectural Frame Internally Adjustable Wall Wash & Directional Metal Halide T6 (CMH) Lamps

Catalog #		Type
Project		Date
Prepared by		

METAL HALIDE



DESCRIPTION

The 8" with wall wash reflector with convex lens for smooth illumination on vertical surface, or with open wall wash slope reflector for T6 CMH lamp directional 0~42° tilt and 358° rotation with positive locking.

DESIGN FEATURES

Ceiling Cut-out : 8-1/16"
Lamp, Max, Watt. : 150W / T6 MH

◦ Housing

- C-UL listed, NON-IC, thermally protected housing for vertical T6 ceramic metal halide lamps.
- Black painted heavy metal housing and compact frames designed to fit in commercial / architectural construction.
- 1-5/8" deep collar may use for various thickness of ceiling materials.

◦ Junction Box

- Listed for through branch circuit wiring. (Max. 8 No 12 AWG 90°C branch circuit conductors. (4 in, 4 out)
- (5) 1/2" knockouts with true pry-out slots and (4) knockouts with Romex cable clamp.
- Ground wire provided on J-box.

◦ Mounting Channel Bracket

- Commercial mounting kit provided up to 5" vertical adjustment, which accommodates 1/2" EMT conduit, optional HB-24 or HBC-24 bar hanger or lathing channels for T-bar grid or concealed spline ceiling.

◦ Upper Reflectors

- Specular clear spot reflector (15°) is standard. Available other reflectors with different beam spreads. (-S, -N, -M, -W)

◦ Lower Reflectors

- Anodized clear, haze, matte platinum color finished aluminum.

◦ Trims

- White steel ring or plated chrome, satin nickel, polished brass, natural steel color ring.

◦ Socket

- T6 : G12 Bi pin socket.

◦ Direction adjustment

- Adjustable lamp direction in 358° rotation and 0~42° tilt with positive locking mechanism in adjustable bracket.

◦ Lamp Shield

- High heat tempered glass shield with clear or frosted lens captive in reflector aperture.

◦ Electronic Ballast

- 120 and 277 volts for 50/60Hz operation high power factor.
- Class A sound rated.
- These frames may install only electronic ballast and can be provided with magnetic ballast in a remote box.

◦ Thermal Protector

- Self resetting thermal detector on J-box deactivates fixture if overheating occurs due to improper lamping or mis-applied insulation.

Ordering Information

Housing	Ballast	Lamp	Voltage	Beam Angle	Option
DL-8580TH	E : Electronic HID Ballast	39 : 39W 70 : 70W 100 : 100W 150 : 150W	-Blank : 120V -27 : 277V	-S : Pin Spot (10 degree) -N : Narrow Spot beam (12 degree) -M : Medium Spread beam (25 degree) -W : Wide Flood (46 degree)	

Example : DL-8580TH-E100-N

Trims

8" Internally Adjustable Wall Wash Trims For

DL-8580A, DL-8581A, DL-8580H, DL-8581H, DL-8580TH

Catalog #		Type
Project		Date
Prepared by		

INCANDESCENT & METAL HALIDE

TM-825B

Slope Baffle
PAR38, T6

White Metal Trim Ring
O.D : 8-7/8"



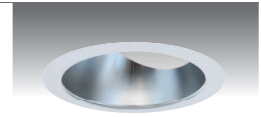
TM-825B-WH

TM-825B-BK

TM-825R

Slope Clear Reflector
PAR38, T6

White Metal Trim Ring
O.D : 8-7/8"



TM-825R-HC

TM-825BG

Slope Baffle w/ Convex Prismatic Lens
PAR38, T6

White Metal Trim Ring
O.D : 8-7/8"



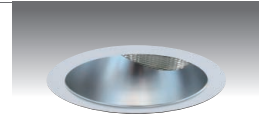
TM-825BG-WH

TM-825BG-BK

TM-825RG

Slope Reflector w/ Convex Prismatic Lens
PAR38, T6

White Metal Trim Ring
O.D : 8-7/8"

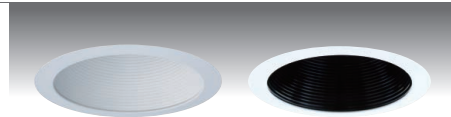


TM-825RG-HC

TM-855B

Straight Baffle
PAR38, T6

White Metal Trim Ring
O.D : 8-7/8"



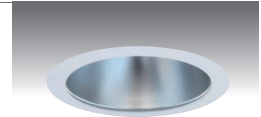
TM-855B-WH

TM-855B-BK

TM-855R

Straight Reflector
PAR38, T6

White Metal Trim Ring
O.D : 8-7/8"



TM-855R-HC

ORDERING INFORMATION

Choose the catalog / finish codes that best suit your needs and enter it on the appropriate line.

TRIM MODEL	REFLECTOR	LENS	BAFFLE	METAL RING
	CL :Clear	FR :Fresnel	WH :White	WH :White
	WH :White	AS :All Sanded	BK :Black	BK :Black
	GD :Gold	CL :Clear	SN :Satin Nickel	SN :Satin Nickel
	MA :Matte Platinum	CV :Convex Prismatic	AN :Antique Nickel	AN :Antique Nickel
	CP :Champagne	AL :Albalite	AC :Antique Copper	AC :Antique Copper
	PR :Pewter	SPL :Comfort Linear	MO :Mocha	MO :Mocha
	HC :Haze Clear		CA :Cappuccino	CA :Cappuccino
			CH :Chrome	CH :Chrome
			UN :Natural Steel	UN :Natural Steel
			PB :Polished Brass	PB :Polished Brass

Examples:

TM-825R-HC-WH = White Trim Ring w/Slope Clear Reflector

TM-855R-HC-WH = White Trim Ring w/ Straight Haze Clear Reflector